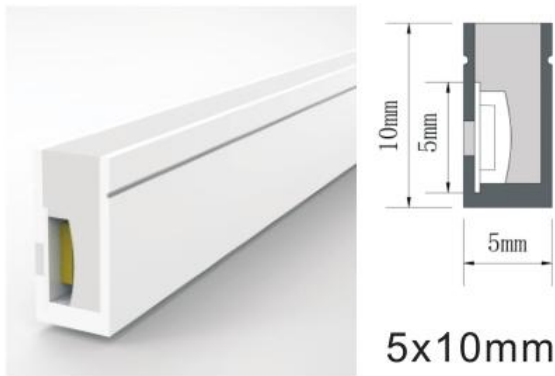


## Silicone Neon Flex LED Strip

LM2835-WH120-12/24V-5mm-5x10mm



### Product Feature:

- ◆ Neon size:5x10mm,5mm 2835 120leds/m 12V/24V led strip put inside, 5meters per roll, real power 7W/meter( Max.Power 10W/m), luminous efficiency up to: 310lm/W,light angle 120 degrees. Honglitrionic LEDs with CRI80 ,double thick PCB
- ◆ Flexible,can be bent sideways ,Cutttable,can be installed in the concave convex surface,easy to install.
- ◆ Silicone material is more environmentally friendly and more softer than PVC materials.
- ◆ Cutting unit is 25mm-3LEDs-12V, 50mm-6LEDs-24V can be used as aunit, cutting does not affect other parts. Normal length is 5 meters, other lengths also acceptable.
- ◆ Silicone material has better anti-yellowing (UV) effect.
- ◆ The spectrum has a strong penetrating power and maintains a good visual effect in rainy or foggy days.
- ◆ IP67 and can make more than 25m or longer length for outdoor/indoor use.
- ◆ Warantty:2-3Years(30000hours)



RoHS



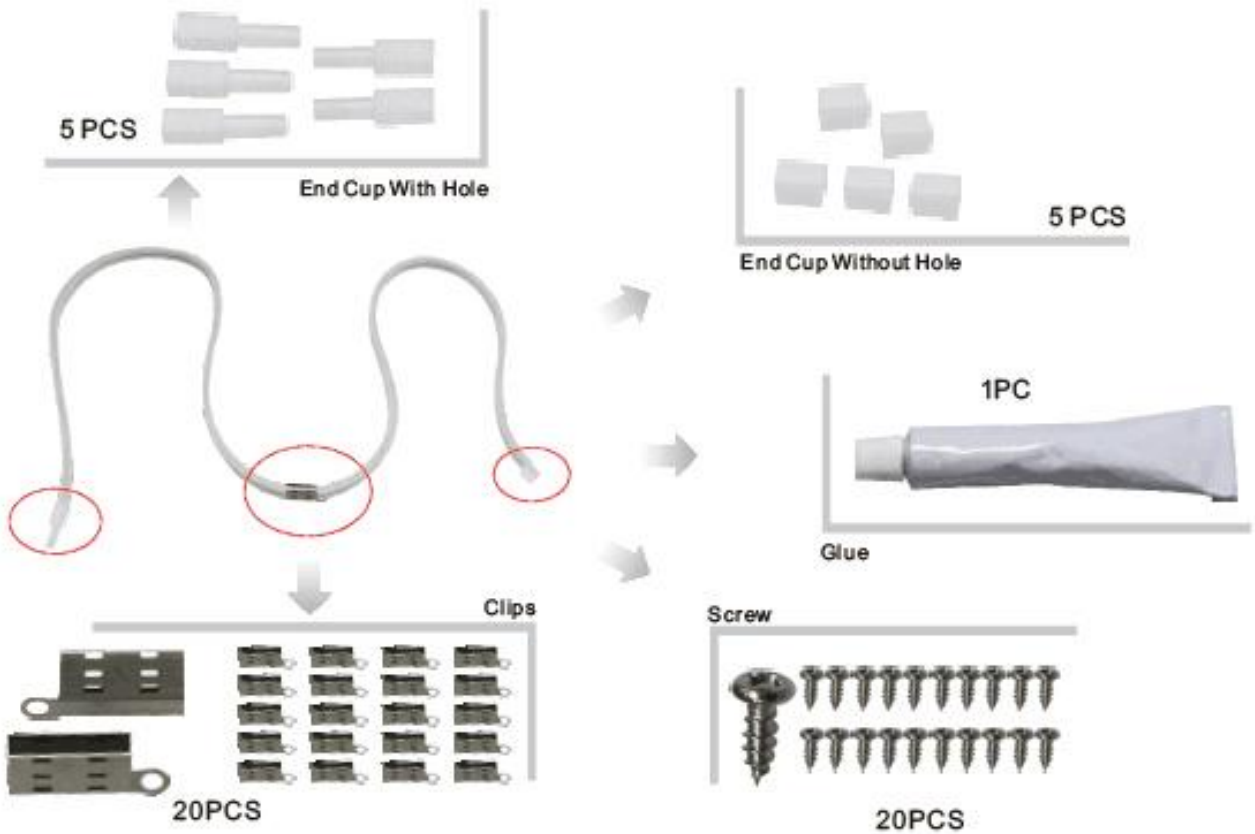
### Technical Parameters:

Mode	LED Q'ty/M	Color temperature		CRI (Ra)	Voltage (VDC)	Neon size(mm)	Rate Power (W)	Rate Lumen (Lm/m)	FPC Width
LM2835-WH120-W-12V	120	White	6000K	80	12	5x10	7	320	5mm
LM2835-WH120-NW-12V		Natural White	4000K					310	
LM2835-WH120-WW-12V		Warm white	3000K					305	
LM2835-WH120-WW-12V		Warm white	2700K					305	
LM2835-WH120-W-24V	120	White	6000K	80	24	5x10	7	320	
LM2835-WH120-NW-24V		Natural White	4000K					310	
LM2835-WH120-WW-24V		Warm white	3000K					305	
LM2835-WH120-WW-24V		Warm white	2700K					305	

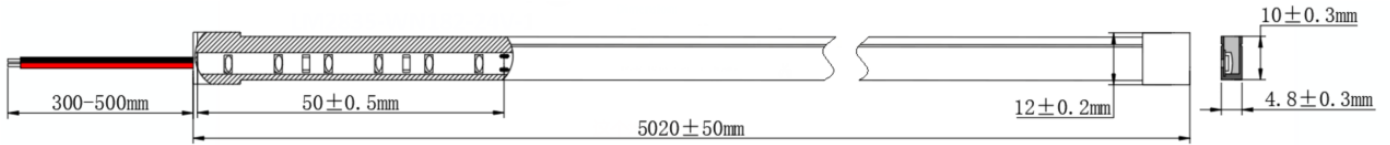
**With Cutting position**



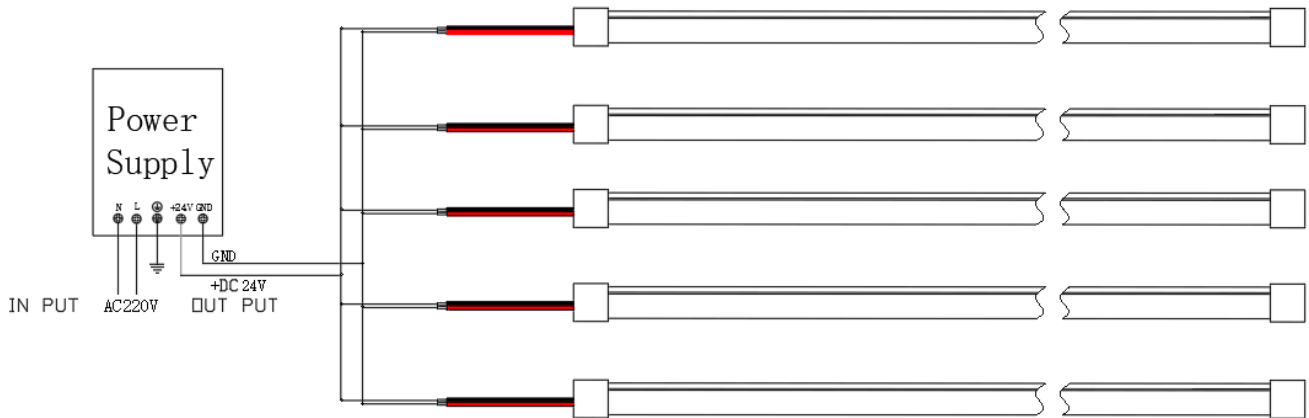
**Accessories for 5meters**



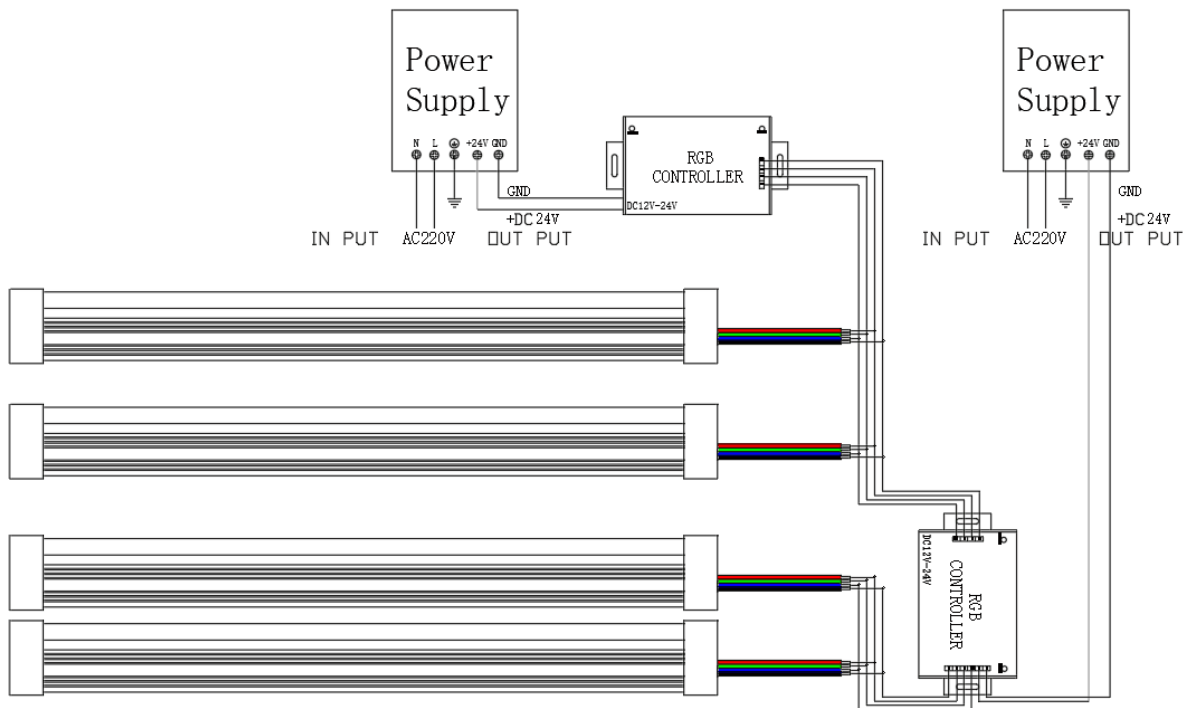
## Dimension:



## Product Electrical:

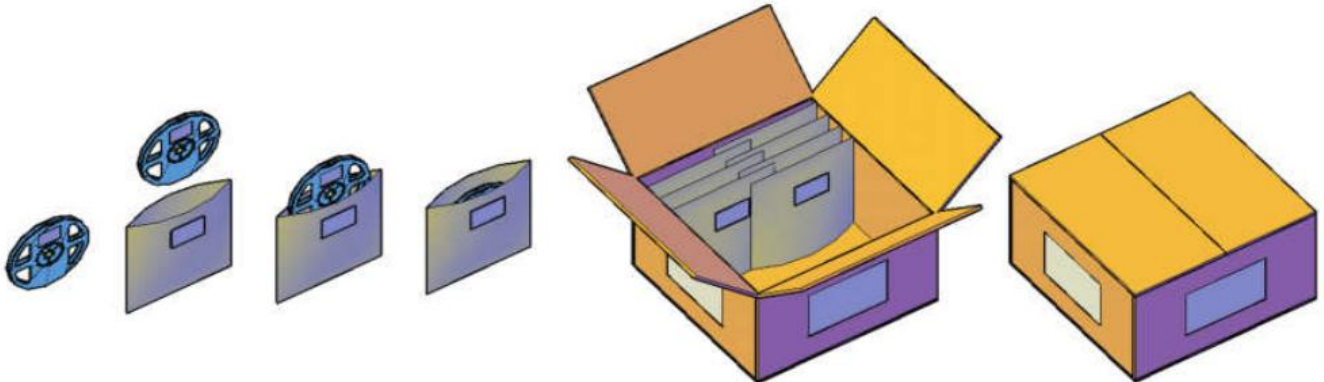


## Installation:





## Product Packaging:



## Safety Information:

- The strip itself and all its components may not be mechanically stressed.
  - Assembly must not damage or destroy conducting paths on the circuit board.
  - Installation of LED ribbon (with power supplies) needs to be made with regard to all applicable electrical and safety standards. Only qualified personnel should be allowed to perform installations.
  - Correct electrical polarity needs to be observed. Wrong polarity may destroy the strip.
  - Parallel connection is highly recommended as safe electrical operation mode.
  - Serial connection is not recommended. Unbalanced voltage drop can cause hazardous overload and damage the strip.
  - Please ensure that the power supply is of adapters power to operate the total load.
  - When mounting on metallic or otherwise conductive surfaces, there needs to be an electrical isolation points between strip and the mounting surface.
  - Pay attention to standard ESD precautions when installing the strip.
  - Damaged by corrosion will not be honored as a materials defect claim.
- It is the user's responsibility to provide suitable protection against corrosive agents such as moisture and condensation and other harmful elements.